

SLIDERONE PRO

USER'S MANUAL

Before operating your edelkrone,
please watch the user's manual video from the link below

[*http://edel.kr/sop*](http://edel.kr/sop)

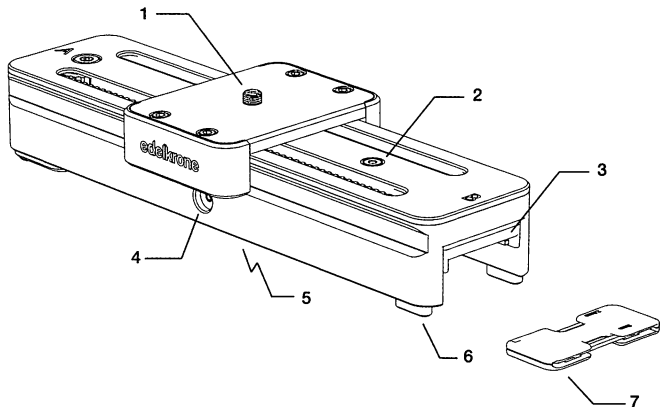


edelkrone
filmmaking solutions

TABLE OF CONTENTS

- 1. WHAT'S IN THE BOX & THE BASICS**
- 2. MOUNTING YOUR SLIDERONE PRO ON A TRIPOD**
- 3. USING WITH FLEXTILT HEAD**
- 4. ADJUSTING SLIDERONE PRO**
- 5. START USING**

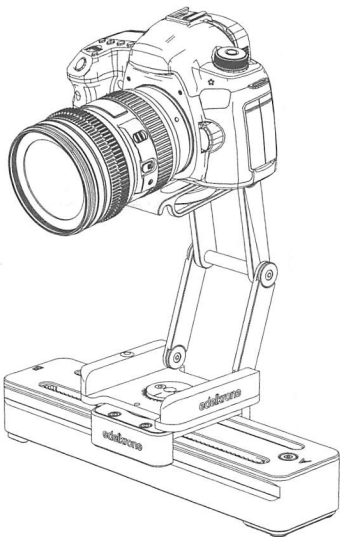
1. WHAT'S IN THE BOX & THE BASICS



1. 3/8"-16 Mounting screw
2. Spirit level
3. Built-in LP-E6 battery bracket
4. Shutter trigger port

5. 3/8"-16 Mounting port
6. Silicon feet
7. Allen keys

3. USING WITH FLEXTILT HEAD



FlexTILT Head is recommended as a tripod head solution for SliderONE PRO.

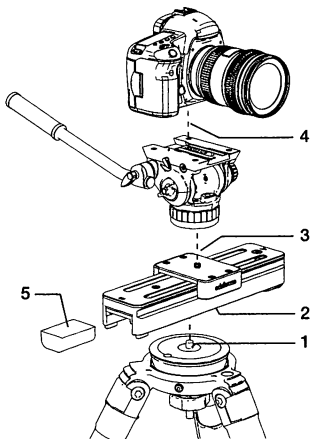
You can easily

- Adjust the center of gravity,
- Pan/tilt, and
- Change the height of the camera with your FlexTilt head.



A detailed video explaining how to use the FlexTILT Head with SliderONE PRO can be found at: <http://edel.kr/sop>

2. MOUNTING SLIDERONE PRO ON A TRIPOD



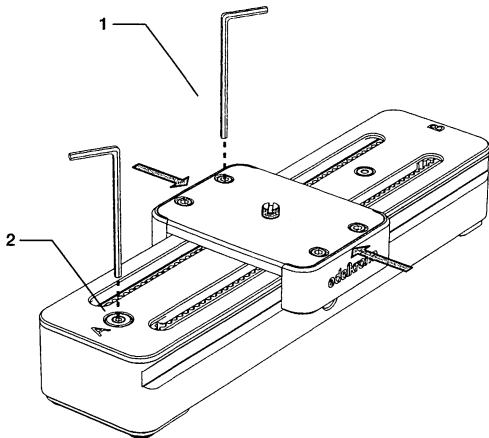
You can use your SliderONE PRO on a tripod or flat surface.

1. You can use the 3/8"-16 screw port underneath your SliderONE PRO to mount it to your tripod.
2. Place the SliderONE PRO on your tripod and rotate until it is tight.
3. SliderONE PRO also has 3/8"-16 screw on top for your tripod head. Place your tripod head or your edelkrone Flextilt Head on SliderONE PRO and rotate until it is tight.
4. Attach your camera to your tripod head and you are ready to slide.
5. Attach the battery to the SliderONE PRO to switch on.



A detailed video explaining the mounting process can be found at:
<http://edel.kr/sop>

4. ADJUSTING SLIDERONE PRO



SliderONE PRO has adjustment screws on it. If you think you have play on the carriages (1) or motor is spinning even though SliderONE PRO is not moving (2), use these screws to adjust your slider.

▶ A detailed video explaining the how to adjust your SliderONE PRO details can be found at: <http://eddel.kr/sop>

DISPOSAL OF THE PRODUCT & WARNINGS



Should the product become damaged beyond repair, or if you wish to dispose of it, it must be disposed separately from the municipal waste stream via designated collection facilities appointed by the government or the local authorities. Observe the regulations of your area and country that relate to the disposal of electronic products.

- * Keep your electronic SliderONE PRO away from all sorts of liquids.
- * Do not attempt to disassemble or modify any internal parts of your SliderONE PRO. If the device appears to be malfunctioning, discontinue use immediately and contact support for qualified service.
- * Never force a different type of connector into a port.
- * Never use or store your SliderONE PRO in areas subject to extreme temperatures, or high levels of vibration.
- * If your SliderONE PRO becomes unresponsive, disconnect and re-connect the power source. Make sure your DC adapter is plugged in or your batteries are properly charged. If the problem persists, contact our support team.
- * Environmental factors may affect your SliderONE PRO's performance. Keep your product away from environmental hazards such as dust or heavy resonance. Do not use chemical materials to clean your product.
- * Only use included battery plate. Use of an inappropriate power source may permanently damage your SliderONE PRO.
- * Avoid dropping or causing physical damage to your SliderONE PRO.
- * Do not place heavy objects on top of your SliderONE PRO.

**edelkrone cannot be held responsible for damage caused by improper use or modification of the product.



For more information and tips about your SliderONE PRO, please watch the user's manual videos at: <http://edel.kr/sop>

5. START USING

1. Download the SliderONE PRO App to your mobile device from the App Store or Google Play. Links can be found at www.edelkrone.com/slideronepro.



2. There are no on/off buttons on SliderONE PRO. Attach the battery to the SliderONE PRO to switch on.
3. SliderONE PRO will start calibrating and find the end of the slide.
4. SliderONE PRO App will automatically pair with your SliderONE PRO through Bluetooth.
5. You are now ready to use your SliderONE PRO!



Always start using with a fully charged battery.



Make sure your mobile device's Bluetooth connection is on.



Batteries are not included.



*A detailed video explaining the application usage details can be found at:
<http://edel.kr/sop>*